

UL 924a

General

Emergency Lighting Inverters are recognized by UL 924 Emergency Lighting and Power Equipment. Full load battery backup time is typically 90 minutes. Inverter systems can also be

recognized by UL 924 Auxiliary Power Supply for Emergency Lighting, commonly known as UL 924a. This is an additional UL effort, and alternate battery configurations are

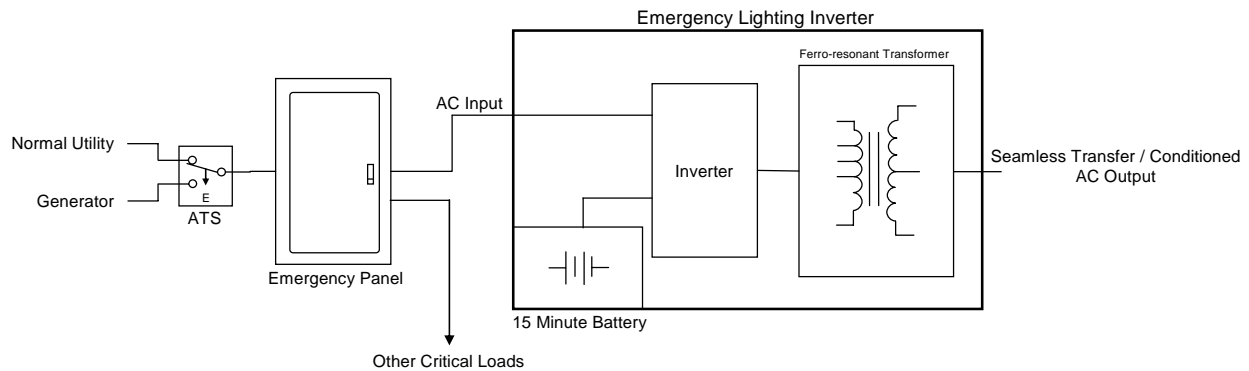
specified. Full load run time can be 15 minutes. If the system is being utilized for emergency egress lighting, it must have proper listings.

The eLITE ELE & UltraLITE

The eLITE ELE and UltraLITE systems have been UL listed to both UL

924 and 924a standards. UL 924a listed systems will also provide peace of mind

because they maintain all the self testing and logging features required by NFPA.



Summary

UL 924a listed eLITE ELE and UltraLITE systems provide the perfect complement to generator based emergency egress lighting. Typically, the inverter will be fed from the

emergency panel. The emergency panel is supplied by utility or generator via transfer switch. The eLITE ELE and UltraLITE will provide no-break, computer grade power to sensitive

electronic equipment. Critical, always on lighting circuits will remain illuminated. Generator synchronization delay (up to 10 seconds) is eliminated.