

Multiple Voltage Capabilities

General

Emergency lighting inverters in the 20th Century require more than the ability to provide power to egress lights in the event of a utility failure. Emergency egress

lighting can take many shapes and require different voltages. HID, fluorescent and incandescent lighting in the same facility is becoming standard fare. Security,

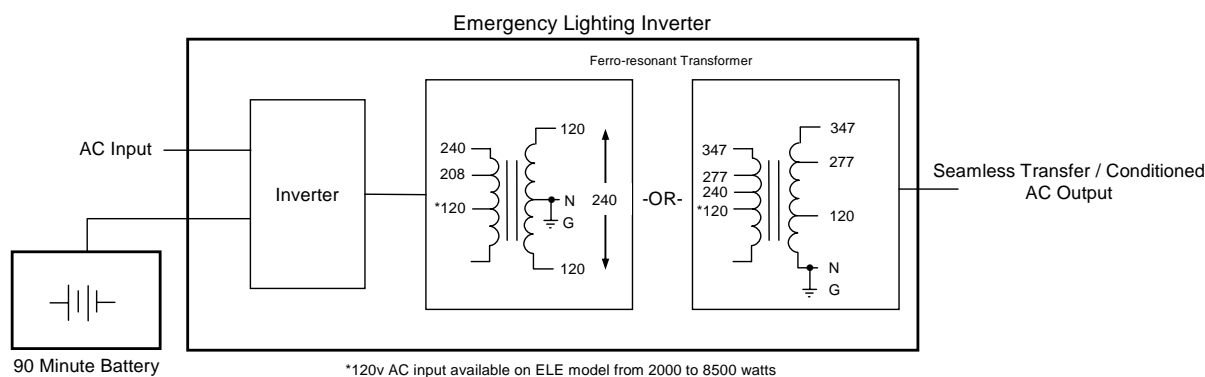
audio and computer systems are also becoming a desired standard. The ability to offer multiple output voltage configurations will be required.

The eLITE ELE

The eLITE ELE system is on the cutting edge of lighting inverter technology. eLITE ELE models are designed to supply multiple, pre-wired voltages at the same time with no inverter system

modifications or additional transformers. The eLITE ELE provides voltage flexibility using a standard internal, multi-tap, power conditioning constant voltage transformer.

Each tap on the transformer provides a different voltage. The front mounted terminal blocks ensure a clean, simple installation.



Summary

Controlled Power Company provides lighting inverters designed for the 20th Century. The ability to provide UL 924 and UL

1778 listed equipment has tremendous advantages. But when you combine the UL listings with the above mentioned multiple output

voltages, it is now possible to provide a single lighting inverter system that becomes a complete Life Safety System.